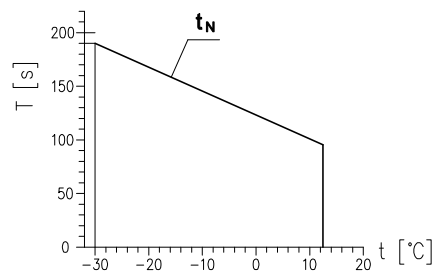
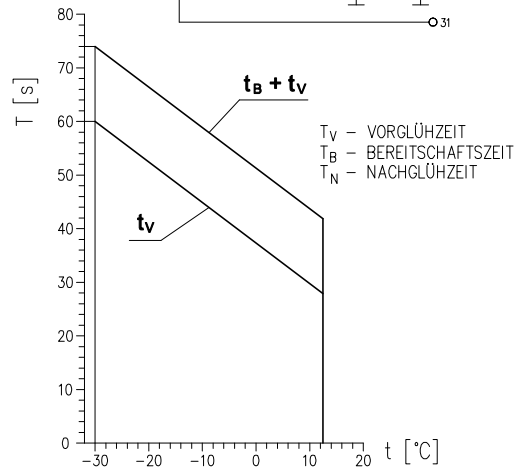
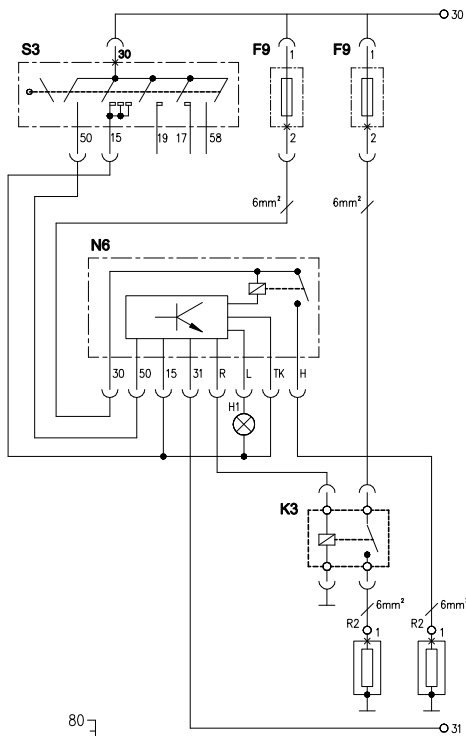
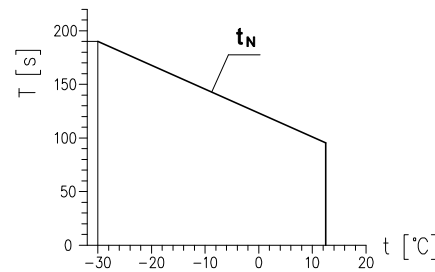
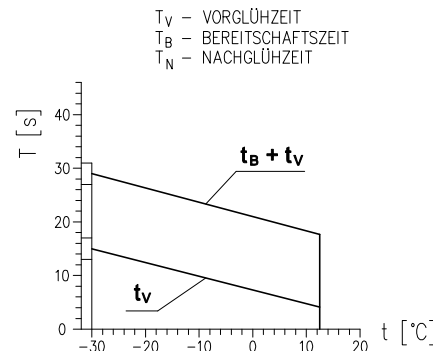
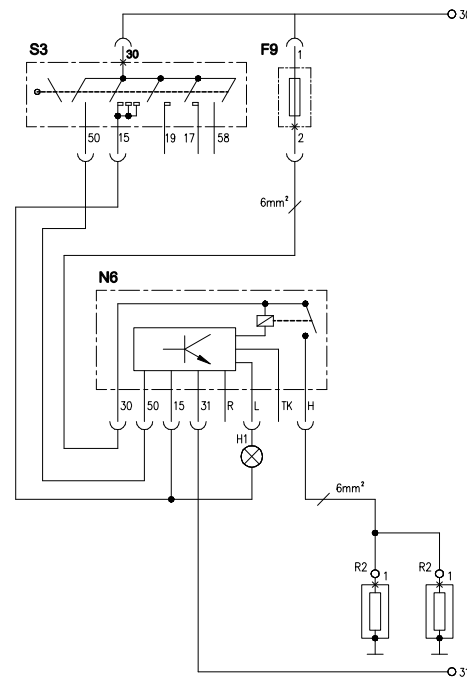


Glühwendelkerzen

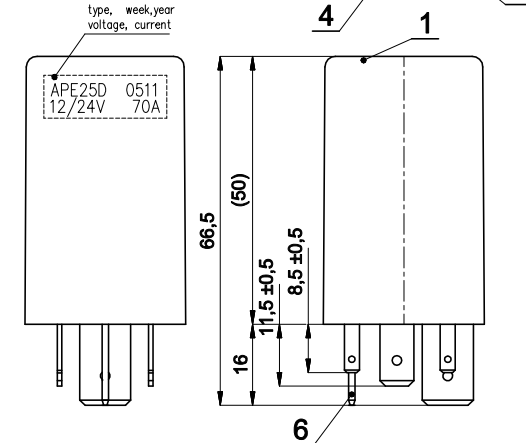


Glühkerzen



Technical specification

- Nominal voltage: 12/24V
- Range of supply voltage: from 8,5 to 36V
- Pull voltage: < 8,5 V
- Cut-off voltage: < 4,1 V
- Max. load current (30-H): 70A (90A for 2 min)
- Operating temperature: -40 - +90°C
- Endurance: 50 000 cycles , 4s ON / 32s OFF for current 50A
- Degree of housing protection: IP55
- Weight: max. 60g



- Kennzeichnung von Elektroteilen nach H 829908 eil 1
- Leitungssicherung F9: for 12V 50A / Träge, Form E, DIN 72581 Teil 3 for 24V 30A / Träge, Form E, DIN 72581 Teil 3 Nennspannung, Sicherung, Norm
- Leitungsquerschnittangaben bis 5m Leitungslänge Ab 5m Leitungslänge nächst größeren Querschnitt wählen.
- Lampe H1: Lampenlast max. 3W
- K3 - APE25UP.

6	Connector type 9,5-1,2	1	M1E	Sn
5	Connector type 2,8-0,8	4	DC01	Ni/Sn
4	Connector type 6,3-0,8	2	DC01	Ni/Sn
3	Connector type 9,5-1,2	1	DC01	Ni/Sn
2	Basis	1	PA66 GF30	black
1	Housing	1	PA66 GF30	blue
NO.	PART NAME	Q'TY	MATERIAL	REMARKS

Design mechanical:	Z.Korol	Signature	Date	4					
Design electrical:	M.Mróz		01.2011	3					
Checked:	M.Śmiarowski		01.2011	2					
Approved:	P.Skrobotowicz		01.2011	1					
				No	Kind of modifications	Modification number	Index/Drawing no	Date	Signature

Property of Auto Power Electronic. This drawing must not be reproduced or disclosed to third parties without the prior consent of Auto Power Electronic. All rights reserved.						Material:		Scale:	Size:	Weight:
Dimension are in millimeters.						Angle projection:		1:1		A3
General tolerance: ISO 2768-m										

	AUTO POWER ELECTRONIC 45-837 Opole , Polska Ul. Zbożowa 12 http://www.apc.com.pl			Name: Preheater relay APE 25D	
	Drawing number: A0025D-0000-00.00			Sheet/sheets: 1/1	